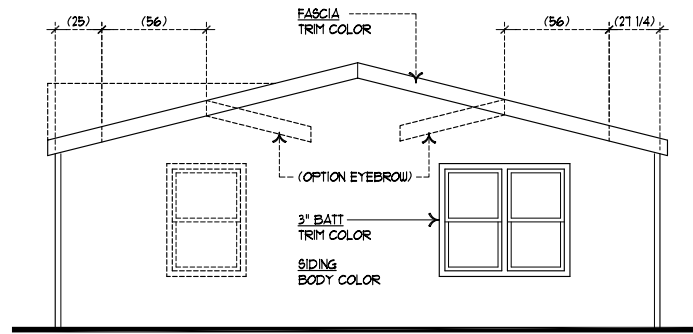
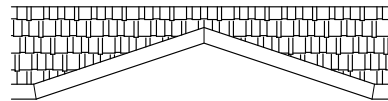


**OPT. 4 BEDROOM**



**NOTE:**  
3" CLADWOOD TRIM ONLY AROUND REAR ENDWALL AND REAR SIDEWALL DOORS AND WINDOWS EXCEPT WHEN NOTED OTHERWISE.



**OPT. DORMER**

